

BRUNEL ASHTRAY AND STUBBER PLATE RETRO-FIT INSTRUCTIONS

NOTE: Ensure that all relevant personnel read the points listed within this leaflet and that a copy is given to staff involved with the installation and maintenance of this product.

ASHTRAY KIT CONTENTS:

ITEM 1- CARDBOARD TEMPLATE	x1
ITEM 2- ASHTRAY GRILLE	x1
ITEM 3- ASHTRAY BODY	x1
ITEM 4- GASKET	x1
ITEM 5- M6 WASHER	x7
ITEM 6- M6 NYLOC NUT	x7

TOOLS REQUIRED:

WHITE PEN/SCRIBER	x1
HAND DRILL	x1
10mm DRILL BIT	x1
10mm SPANNER	x1
JIGSAW	x1

STUBBER PLATE KIT CONTENTS:

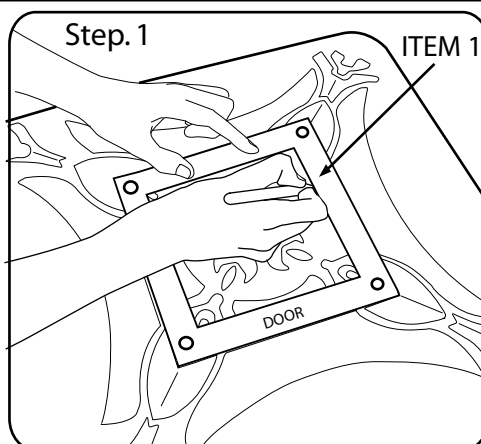
ITEM 1- CARDBOARD TEMPLATE	x1
ITEM 2- STUBBER PLATE	x1
ITEM 3- M6 WASHER	x4
ITEM 4- M6 NYLOC NUT	x4

TOOLS REQUIRED:

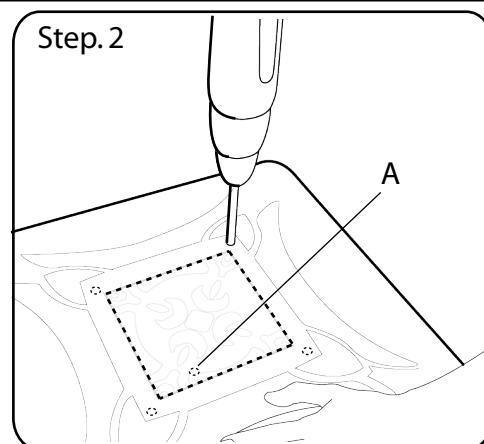
WHITE PEN/SCRIBER	x1
HAND DRILL	x1
10mm DRILL BIT	x1
10mm SPANNER	x1

To Install the Ashtray:

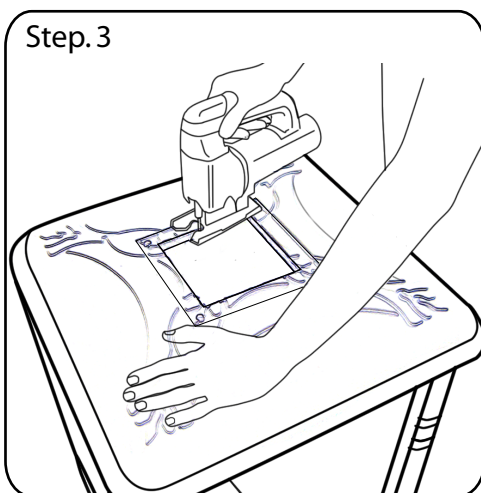
Step 1. Align the Template (ITEM 1) in the centre of the bin's hood ensuring that arrows are facing the door, and mark the inner edge of the template (Fig. 1) and the four hole centres using a scriber or white pen.



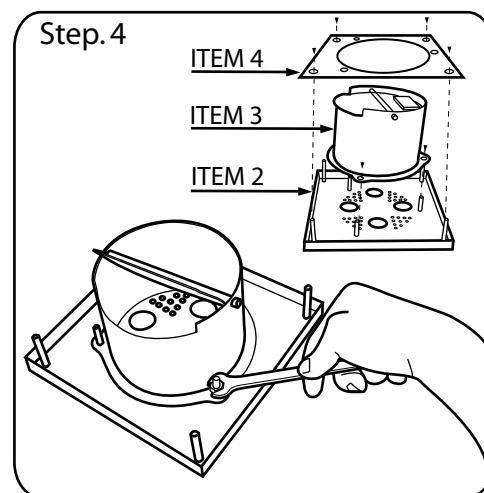
Step 2. Remove the Template and using the drill and a 10mm drill bit, drill the 4 marked holes, and another central hole (A) to insert the Jigsaw blade into (Fig.2).



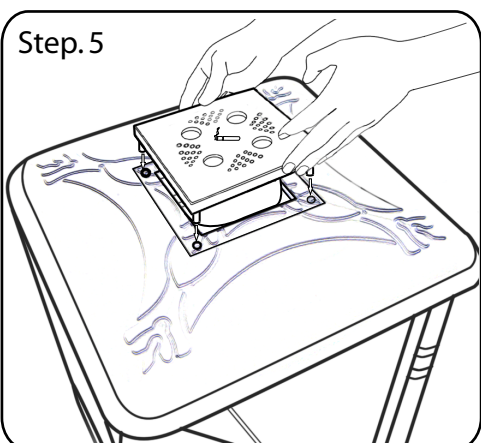
Step 3. Insert the Jigsaw blade into the central hole (A) and cut along the square previously marked using the template.



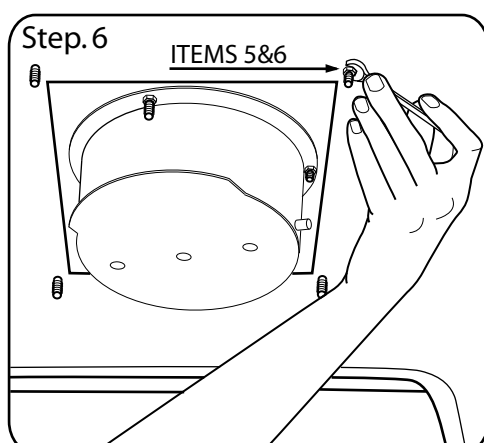
Step 4. Attach the Ashtray Body (Item 3) to the underside of the Ashtray Grille (Item 2) using 3 Nyloc Nuts and washers and slide Gasket (Item 4) over the top by aligning the holes with each stud on the assembled Ashtray.



Step 5. Position the 4 threaded studs on the assembled Ashtray into the holes previously drilled into the bin hood, making sure that the cigarette symbol faces the bin door and that the Gasket remains in place.



Step 6. From the inside of the bin attach a Nyloc Nut and Washer (Items 5 & 6) onto each of the 4 threaded studs of ITEM 2 with the 10mm spanner. Take care not to over tighten.



To Install the Stubber Plate:

Follow Steps 1, 2, 5 and 6 only.

BRUNEL ASTRAY AND STUBBER PLATE RETRO-FIT INSTRUCTIONS

NOTE: Ensure that all relevant personnel read the points listed within this leaflet and that a copy is given to staff involved with the installation and maintenance of this product.

ASHTRAY KIT CONTENTS:

ITEM 1- CARDBOARD TEMPLATE	x1
ITEM 2- ASHTRAY GRILLE	x1
ITEM 3- ASHTRAY BODY	x1
ITEM 4- GASKET	x1
ITEM 5- M6 WASHER	x7
ITEM 6- M6 NYLOC NUT	x7

TOOLS REQUIRED:

WHITE PEN/SCRIBER	x1
HAND DRILL	x1
10mm DRILL BIT	x1
10mm SPANNER	x1
JIGSAW	x1

STUBBER PLATE KIT CONTENTS:

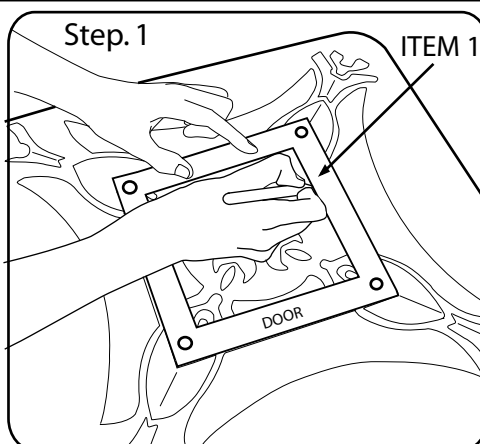
ITEM 1- CARDBOARD TEMPLATE	x1
ITEM 2- STUBBER PLATE	x1
ITEM 3- M6 WASHER	x4
ITEM 4- M6 NYLOC NUT	x4

TOOLS REQUIRED:

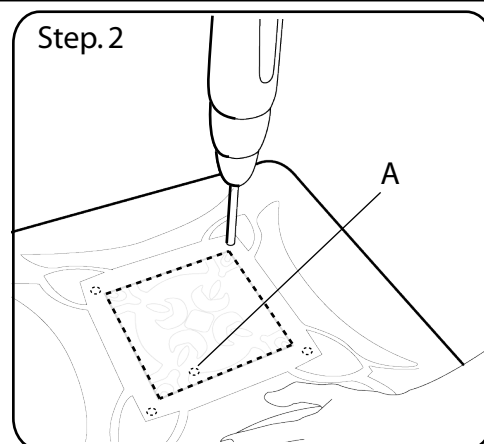
WHITE PEN/SCRIBER	x1
HAND DRILL	x1
10mm DRILL BIT	x1
10mm SPANNER	x1

To Install the Ashtray:

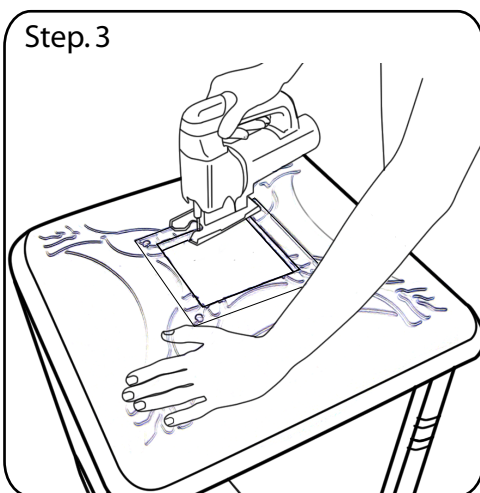
Step 1. Align the Template (ITEM 1) in the centre of the bin's hood ensuring that arrows are facing the door, and mark the inner edge of the template (Fig. 1) and the four hole centres using a scriber or white pen.



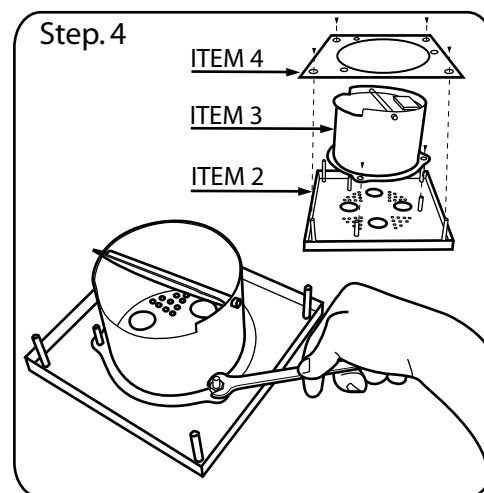
Step 2. Remove the Template and using the drill and a 10mm drill bit, drill the 4 marked holes, and another central hole (A) to insert the Jigsaw blade into (Fig.2).



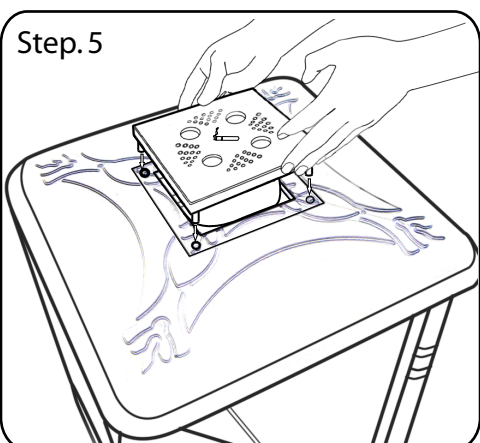
Step 3. Insert the Jigsaw blade into the central hole (A) and cut along the square previously marked using the template.



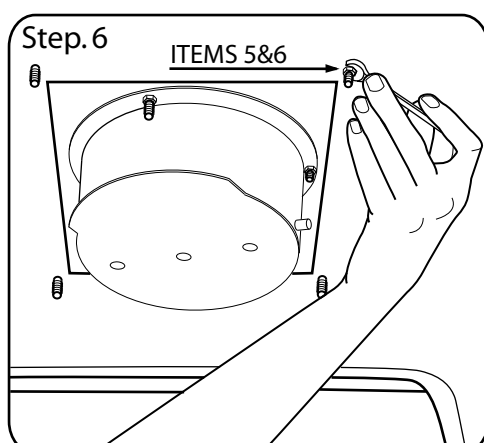
Step 4. Attach the Ashtray Body (Item 3) to the underside of the Ashtray Grille (Item 2) using 3 Nyloc Nuts and washers and slide Gasket (Item 4) over the top by aligning the holes with each stud on the assembled Ashtray.



Step 5. Position the 4 threaded studs on the assembled Ashtray into the holes previously drilled into the bin hood, making sure that the cigarette symbol faces the bin door and that the Gasket remains in place.



Step 6. From the inside of the bin attach a Nyloc Nut and Washer (Items 5 & 6) onto each of the 4 threaded studs of ITEM 2 with the 10mm spanner. Take care not to over tighten.



To Install the Stubber Plate:

Follow Steps 1, 2, 5 and 6 only.